

## Table of Contents

### **CHAPTER 1 - INTRODUCTION** - 1 -

ICON	- 1 -
LAUREATE EB305C	- 1 -
SPECIAL PROTECTION & DETECTION	- 2 -
LED INDICATOR (DOUBLE COLORED LED)	- 2 -
SYSTEM REQUIREMENTS	- 3 -
PC REQUIREMENTS	- 3 -
MAC REQUIREMENTS	- 3 -
PACKAGE CONTENTS	- 3 -

### **CHAPTER 2 - INSTALLING THE HDD** - 4 -

PREPARING THE ENCLOSURE	- 4 -
HARD DRIVE ASSEMBLY	- 5 -

### **CHAPTER 3 - SYSTEM SET UP** - 6 -

CONNECTION TO YOUR COMPUTER	- 6 -
INSTALLATION ON A PC (MICROSOFT WINDOWS)	- 7 -
INSTALLATION ON A MACINTOSH (APPLE MAC OS)	- 8 -
PARTITIONING & FORMATTING	- 9 -



# Chapter 1 - Introduction

## Icon

Throughout this manual you will see icons on the left margin that denote either Notes or Special Remarks as outlined below:



General Notes and Tips



Remarks for PC users and Microsoft Windows OS



Remarks for Mac users and Apple Macintosh OS

## Laureate EB305C

Laureate EB305C provides cutting-edge technology with maximum durability, flexibility and practical design. Passive cooling through the aluminum casing eliminates the need for an onboard fan, therefore making this the ideal solution for a quiet environment.

Dimensions:      22.5cm x 13.0cm x 3.5cm  
                          8.86" x 5.12" x 1.38"



If the red LED is blinking and not ON permanently, there is no problem with your unit. These only indicate the spin up of your drive or a temporary spike or slump in the power consumption and do not harm your drive or device at all. The product can be used normally.

## Special Protection & Detection

**Over Voltage Protection (OVP)** with a limit of 10% before shut down (max 30V).


Protection for device or Hard Drive damage, Caused by sudden voltage spikes in the power supply and wrong or faulty power adapter.

Indication: Blue LED off, Red LED on

**Low Voltage Detection (LVD)** indicating insufficient power supply. Possibly caused by a sudden voltage slump in the power supply or faulty power adapter.

Indication: Blue LED on, Red LED on

**Inverse-Polarity Protection** to prevent any damage to the device or Hard Drive caused by using a wrong adapter.

Correct: internal+, external- 

**Automatic Detection of the Interface** for Combo Interface Units, which means that there is no mechanical switch required. The first cable detached will be the one used by the system until unplugged. If a second cable is plugged in, it will not affect the system at all and can be used as soon as the main cable is unplugged.

### LED indicator (double colored LED)

	Blue LED	Red LED
Status ON, working normal	ON	OFF
Status ON, low power (LVD)	ON	ON
Status ON, over voltage (OVP)	OFF	ON
Status OFF (or faulty PCB/LED)	OFF	OFF

\* Blue LED flickers on data access



USB driver for  
Win98/SE is on  
[www.enermax.com](http://www.enermax.com)



Mac OS 8.6 users  
should use USB  
extension 1.41 to be  
able to use USB 1.1

## System Requirements

### PC Requirements

- Minimum Intel Processor II 350MHz, 64MB RAM
- USB 1.1 equipped PC; WinME, Win2000, WinXP
- USB 2.0 equipped PC; WinME, Win2000, WinXP

### Mac Requirements

- Minimum Apple G3 processor (G4 for 1394b), 64MB RAM
- USB 1.1 equipped Mac; Mac OS 9.1, 9.2, 10.1.5, 10.2, 10.3
- USB 2.0 equipped Mac; Mac OS 10.2, 10.3

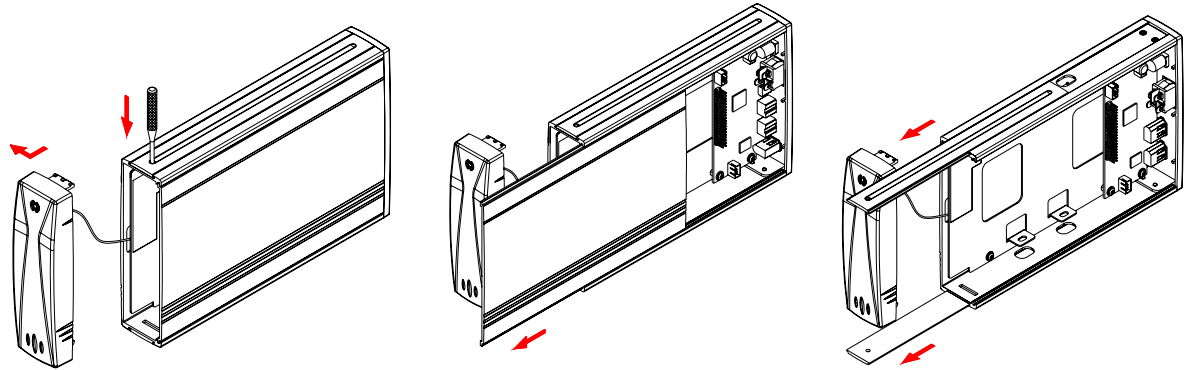
## Package Contents

- Laureate EB305C
- External Power Adapter DC 12V/5V (Switch 90V-220V) with Power Cord
- USB 2.0 Cable
- Aluminum Stand
- Screw Kit(with Tool for Front Panel removal)
- SATA Cable (7pin)—for SATA HDD
- IDE cable—for IDE HDD
- Power Cable—for SATA HDD (Power Cable--for IDE HDD)
- User's Manual

## Chapter 2 - Installing the HDD

### Preparing the Enclosure

Remove the stand. Use the provided tool, place it on the marked spot (hole) and press gently to remove the front panel. Slide the top cover and side panels to the front to open up the case.





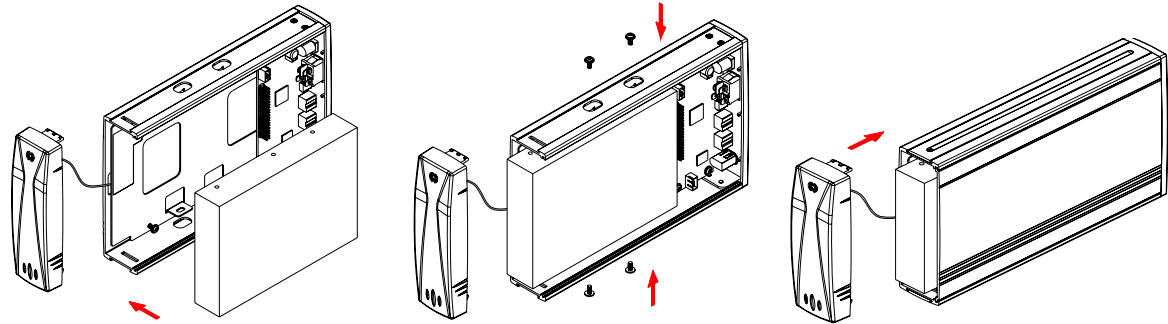
The hard drive jumper settings should be master or factory default.



Be careful not to damage any cables or components and double check the connection between the cables, the bridge board and your hard drive before you close up the case.

## Hard Drive Assembly

Connect the IDE or SATA cable and the power cable to your hard drive. Install the hard drive and fasten the screws. Align the top cover with the body and fasten the screws, before you insert the side panels and top cover. Align the front panel with the enclosure and press gently on both ends. Connect your power adapter and interface cable.





Most problems occur due to driver problems on the Host Card side!



If you buy a spare power adapter for your working place or at home, make sure the output and polarity is identical with the power adapter supplied!

## Chapter 3 - System Set Up

### Connection to your Computer

A few tips on how to connect your enclosure:

- Make sure your PCI Host Card is installed correctly
- Double check that the Host Card driver is up to date
- If required, update your Operating System or BIOS
- Only one interface at the time can be used
- Only one computer at the time can access the drive
- To use one drive on several computers, it can be shared through one computer on the network (1394 network, company network)
- Do not cover the enclosure and leave enough room around it to cool down
- Do not expose the product to water or humid conditions
- If possible, arrange the cables so they do not cross each other
- Always check for visible damage and defects of power and interface cables before using it
- We recommend using the cables and adapter supplied with this product





If the system doesn't recognize the drive, turn on the power first, before connecting the USB cable.



For safe removal of your drive and to assure that no data is lost, always follow the unplug procedure. If not, an error message will show up.

## Installation on a PC (Microsoft Windows)

### Win2000 or WinXP with a USB connection:

- Turn on your Computer and start Windows
- Connect the Laureate and turn it on
- Let Windows search and install the driver automatically
- Open "My Computer" to see your external hard drive \*\*

### Win98/SE with a USB connection:

- Turn on your Computer and start Windows
- Insert the driver CD into your CD-ROM
- Connect the Laureate and turn it on (in some cases the driver must be installed before connecting the device, see note on CD or readme file)
- Follow the onscreen instructions and install the drivers
- Open "My Computer" to see your external hard drive \*\*

### Unplug Procedure:

- Click on the taskbar icon for external hardware
- Choose your external hard drive and confirm to remove it



\*\* For factory new drives and formatting, see "Partitioning & Formatting"



If the system doesn't recognize the drive, turn on the power first, before connecting the USB cable.



For Mac OS 8.6, the USB extension has to be at least v1.41.



For Mac OS 8.6, extension has to be at least v2.6.

## Installation on a Macintosh (Apple Mac OS)

### Mac OS 9.x or Mac OS 10.x with USB connection:

- Turn on your computer and start Mac OS
- Connect the Laureate and turn it on
- No driver installation required
- The external drive will mount and show up on your desktop\*\*

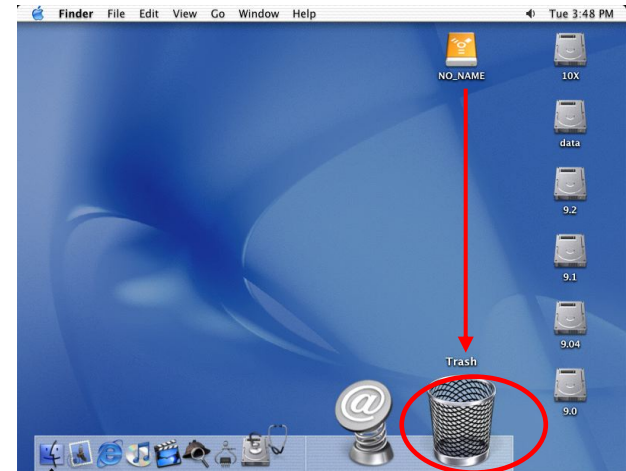
### Mac OS 10.2 or 10.3 with USB 2.0 connection:

- Turn on your computer and start Mac OS
- Connect the Laureate and turn it on
- No driver installation required
- The external drive will mount and show up on your desktop\*\*

### Unplug Procedure:

- Drag the external hard drive icon into the trash bin, Then turn off your device

\*\* For factory new drives and formatting, see "Partitioning & Formatting"





You can choose to create several partitions but be aware that if you want to change this at a later point, it's required to format the drive again or use 3<sup>rd</sup> party software.



Win98/SE and WinME do not recognize NTFS formatted drives, so if you want to use your drive on those platforms, we recommend you to use FAT32 instead.

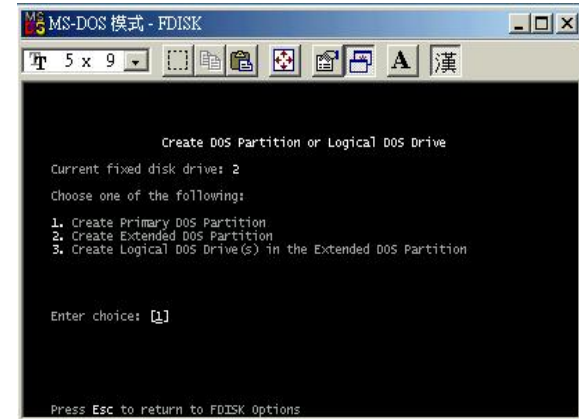
## Partitioning & Formatting

Be aware that this will destroy all your existing data on the drive, so make sure you have a backup! This step is usually only required the first time you install a factory new hard drive, if you change the format or want to erase all data on your drive.

### PC running Win98/SE or WinME:

MS-DOS command "fdisk" (press Enter to confirm)

- Type "fdisk" and press Enter
- Select "Y" and press Enter
- Enter "5" to change the drive
- Select the drive you want to format
- Choose "1" and follow the onscreen instructions





Mac OS does not recognize NTFS formatted drives, to use your device on both platforms, we recommend you using FAT32.

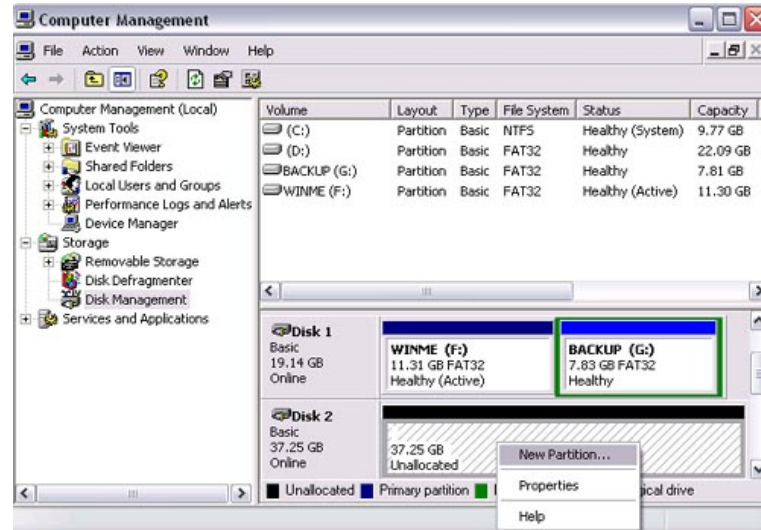


If you use Win2000 or WinXP and FAT32, the biggest single partition you can create will be 32GB. To create larger partitions, you need to use DOS command under Win98SE or WinME or change to NTFS format.

## PC running Win2000 or WinXP:

### Disk Management Program

- Right click on “My Computer” and choose “Manage”
- Select “Disk Management”
- Choose the drive you want to format and right click on it for further commands (Choose New Partition)
- Follow the Partition Wizard





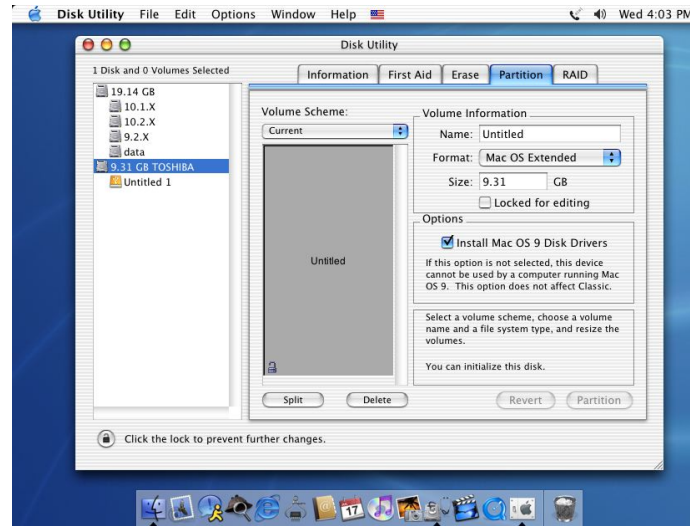
If you want to use your drive on a PC running Microsoft Windows as well as on your Mac, we recommend you to use a PC to format the drive. Choose FAT32 when formatting and do not change anything on the partition or format on your Mac, otherwise the PC will not be able to recognize the drive anymore.

## Mac OS:

Mac OS9.2 and earlier, does not support creating partitions on an external drive. To do that, you would need to purchase additional 3<sup>rd</sup> party software. Initializing is no problem on all Operating Systems.

For Mac OS X, use the Disk Utility to format and create partitions on external disk.

- Select “Disk Utilities” in the utilities folder
- Choose your external drive and format it according to your requirement



© Copyright 2005 Enermax Technology Corporation All Rights Reserved.

The information contained in this manual is believed to be accurate and reliable. Enermax Technology Corporation assumes no responsibility for any errors contained in this manual. Enermax Technology Corporation reserves the right to make changes in the specifications and/or design of this product without prior notice. The diagrams contained in this manual may also not fully represent the product that you are using and are there for illustration purposes only.