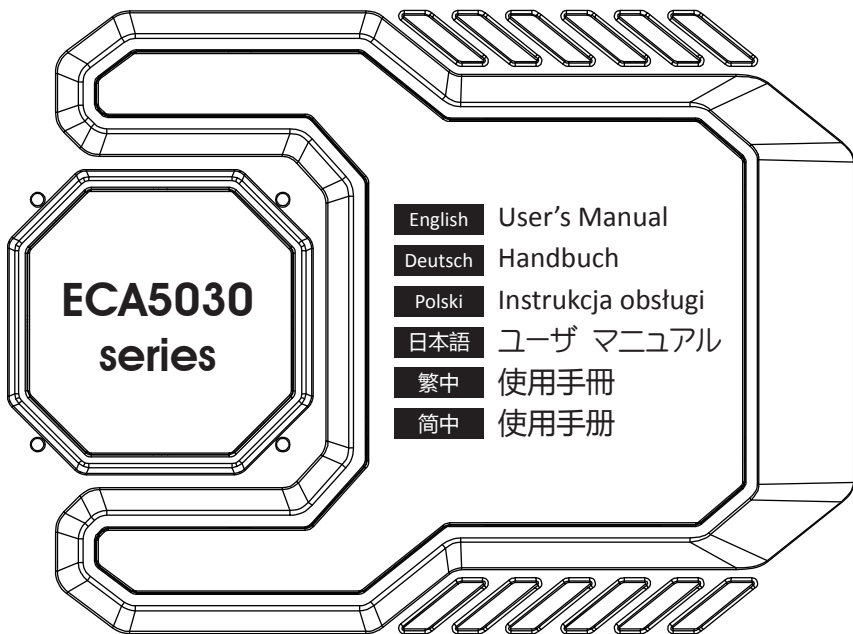


Thermax GIANT



ENERMAX

www.enermax.com

CONTENTS

CHAPTER 1 :

PRODUCT OVERVIEW

1.1 Product View	1
1.2 Specs	2
1.3 Accessories	3

CHAPTER 2 :

INSTALLATION GUIDE

2.1 How to Remove Both Side Panels	4
2.2 How to Install the Motherboard	5
2.3 How to Install Power Supply	5
2.4 How to Install Add-on Cards	6
2.5 How to Install Optical Drive	7
2.6 How to Install Internal 2.5" & 3.5" Device	8
2.7 How to Install the Radiators	9-10
2.8 How to Install System Fans	11-14
2.9 360 Degree Rotatable Foot Stands	15
2.10 How to Clean the Dust Filter	15

CHAPTER 3 :

SUGGESTED HEIGHT OF CPU COOLER AND LENGTH OF VGA CARD -16

CHAPTER 4 :

CABLE CONNECTION DESCRIPTION -17

CHAPTER 1

• Product Overview

• 製品の説明

• Produkteinführung

• 産品概観

• Opis produktu

• 産品概観

1.1 Product View

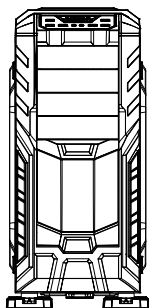
Produktskizze

Rozkład elementów

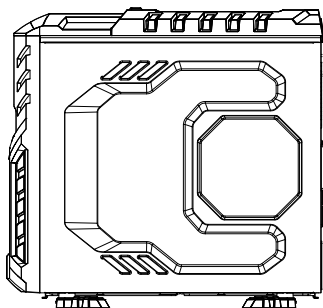
製品ビュー

産品外觀

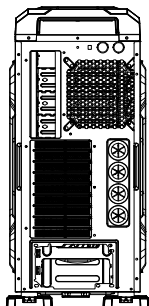
産品概観



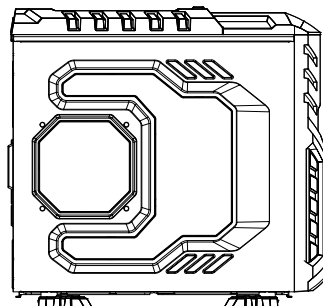
Front



Right

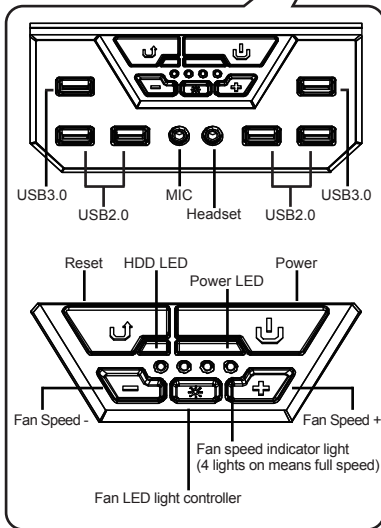
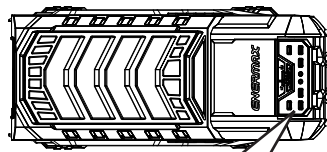


Rear



Left

Top



1.2 Specs

Technische Daten

Dane techniczne

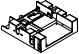





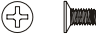

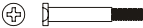

スペック

產品規格

产品规格

Model Number	ECA5030 series	
Dimensions (mm)	D546 x W264 x H557mm	
I/O	2 x USB3.0 + 4 x USB2.0, HD Audio, 4 fans 4 steps speed controller & 4 fans LED light controller	
M/B	E-ATX, ATX, Micro-ATX	
Power Supply	ATX12V (Optional)	
Drive Bays	5.25"	4
	3.5"	6 (1 x 3.5" converted from 5.25" adapter)
	2.5"	8 (5 from the 3.5" HDD trays; 2 converted from 5.25" adapter; 1 behind M/B plate)
Expansion Slots	9	
Fan Slots	Front	1 x 180 / 200mm (1 x 180mm VEGAS Blue LED fan pre-installed)
	Rear	1 x 120 / 140mm (1 x 120mm Twister Bearing fan pre-installed)
	Top	3 x 120mm / 2 x 140mm / 1 x 180mm / 1 x 200mm (optional)
	Side	Acrylic window + 1 x 180 / 200mm (1 x 180mm VEGAS Blue LED fan pre-installed)
	Bottom	2 x 120mm (optional)
Maximum CPU cooler height	194mm	
Liquid cooler Support	Top: 120 / 240 / 280 / 360mm liquid cooler Bottom: 120 / 240mm liquid cooler	

1.3 Accessories
Zubehör
Wyposażenie
 アクセサリ
 零件盒
 零件盒

Figure	Parts Name	Q'ty	Purpose
	3.5" / 2.5" Adapter	1	3.5" HDD / 2.5" SSD expansion
	Speaker	1	Motherboard Alarm
	Cable tie	10	Settle Cable
	Stand-off M3	7	Motherboard
	Screw M3 x 5 mm	28	Motherboard / 5.25" ODD
	Screw #6-32 x 5 mm	10	3.5" HDD (HDD Tray)
	Screw M3 x 5 mm	30	2.5" SSD(HDD Tray, 3.5" / 2.5" Cage / 2.5" slots behind M/B)
	Screw ϕ 5 x 10 mm	20	Fan Screws
	Screw M3 x 0.5P x 29 mm	1	Front Fan(4 are pre-installed)
	Screw #6-32 x 6L	8	Power Supply / 3.5" HDD (5.25" to 3.5" cage)

CHAPTER 2

- ・ Installation Guide
- ・ 取り付けの説明

- ・ Montageanleitung
- ・ 組立説明

- ・ Instrukcja montażu
- ・ 組装说明

2.1 How to Remove Both Side Panels

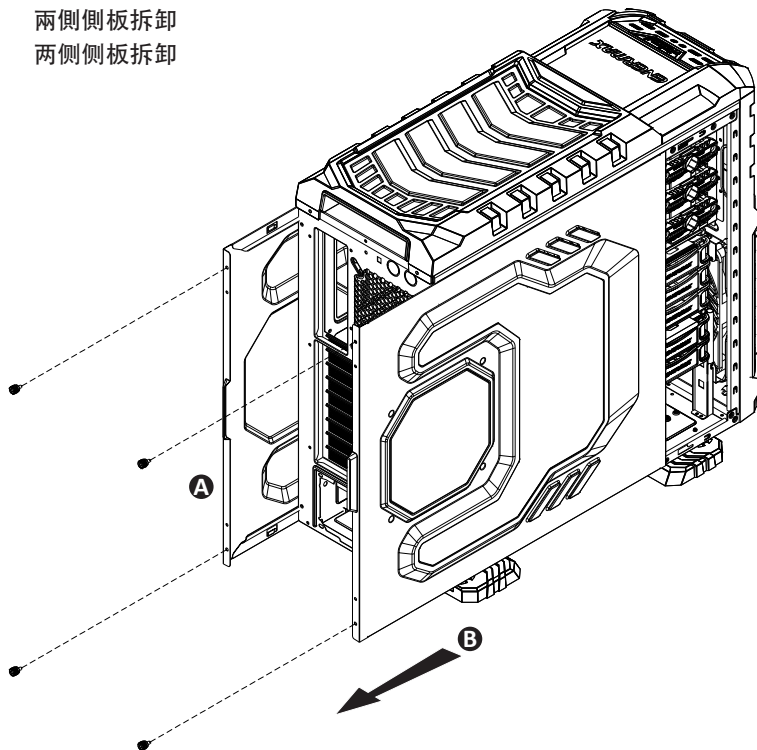
Entfernen der Seitenwände

Demontaż panelów bocznych

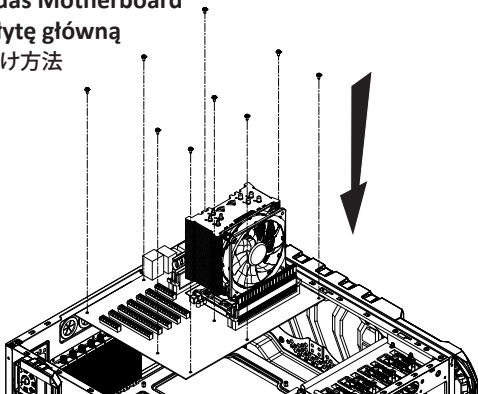
両サイドパネルの取り外し

兩側側板拆卸

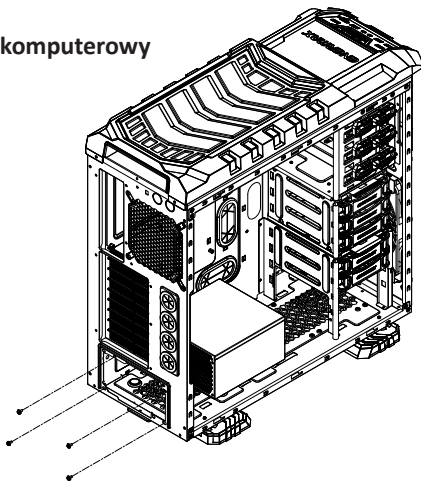
兩側側板拆卸



2.2 How to Install the Motherboard
So installieren Sie das Motherboard
Jak zamontować płytę główną
マザーボードの取り付け方法
安裝主機板
安裝主機板



2.3 How to Install Power Supply
Netzteilinbau
Jak zainstalować zasilacz komputerowy
電源取り付け方法
安裝電源供應器
安裝电源供应器

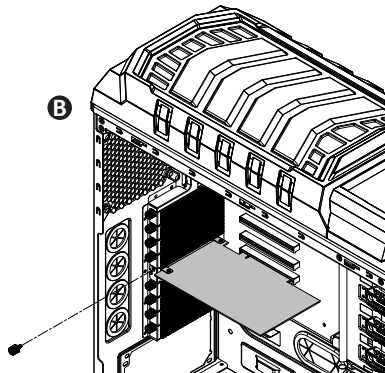
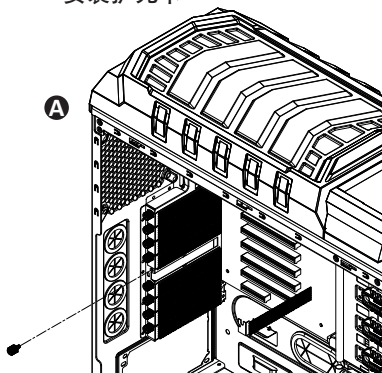


2.4 How to Install Add-on Cards

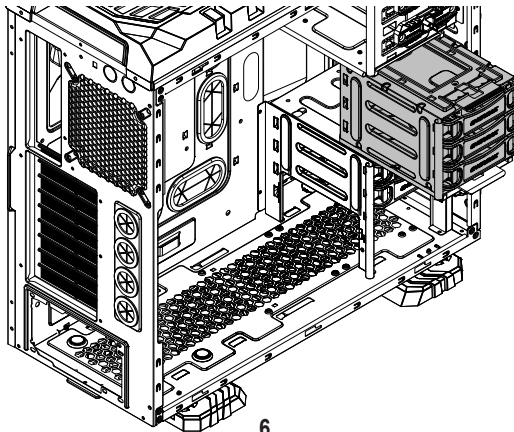
Installation von Erweiterungskarten

Instalacja kart rozszerzenia

アドオンカードの取り付け
安裝擴充卡
安裝擴充卡



Removable upper HDD cage to fit longer Add-on cards



2.5 How to Install Optical Drive

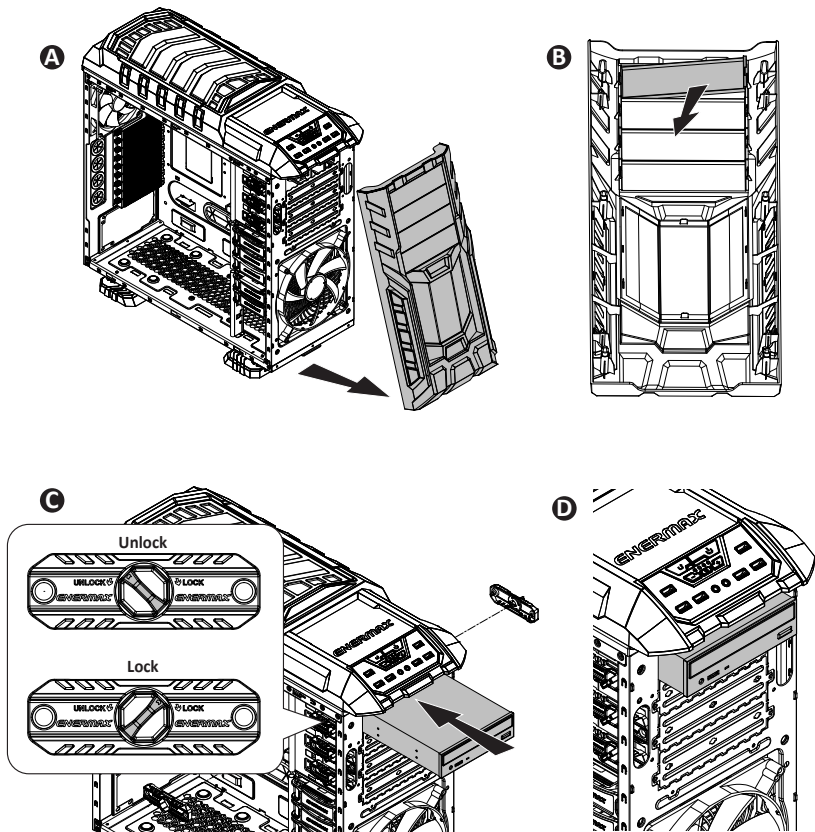
Installation von optischen Laufwerken

Instalacja napędów optycznych

光学ドライブの取り付け

光碟機安裝

光盘安装



2.6 How to Install Internal 2.5" & 3.5" Device

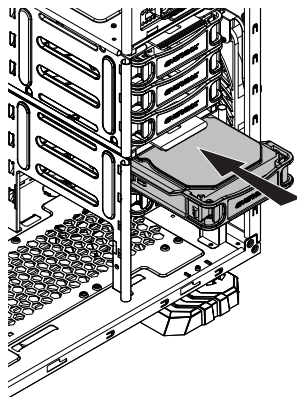
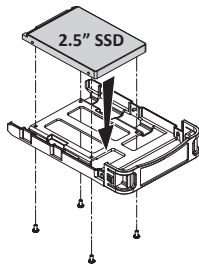
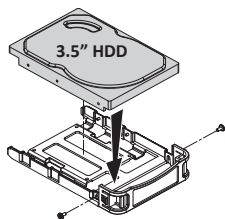
Installation von internen 2,5"- und 3,5"-Laufwerken

Instalacja wewnętrznych napędów 2.5"/3.5"

内部2.5インチと3.5インチデバイスの取り付け

安裝隱藏之3.5"/2.5"裝置

安裝隱藏之3.5"/2.5"裝置



5.25" to 3.5"/2.5" adapter

2.5" SSD slot
behind M/B tray

5.25" to 1 x 3.5"
+ 2 x 2.5"

5.25" to 3 x 2.5"

